

**SPOTLIGHT**

# IMOGEN FLORAL MAKEUP BAG

N° 06.24.12  
PROJECT SHEET



*It's what you make it.*

**SHOW US WHAT  
YOU'RE MAKING**

 /spotlightstores

 @spotlightstores

# IMOGEN FLORAL MAKEUP BAG

## **i** BEGINNER

### WHAT YOU'LL NEED

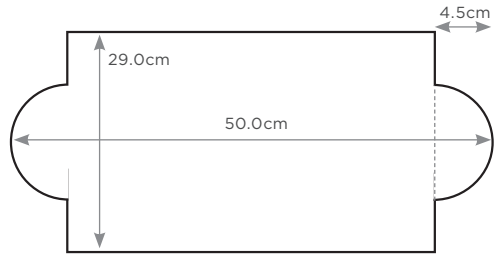
- Cotton Canvas fabric (We used our Imogen floral Cotton Canvas)
- Plain cotton fabric (Lining)
- Zipper
- Matching thread
- Scissors
- Pins
- Sewing machine

### INSTRUCTIONS

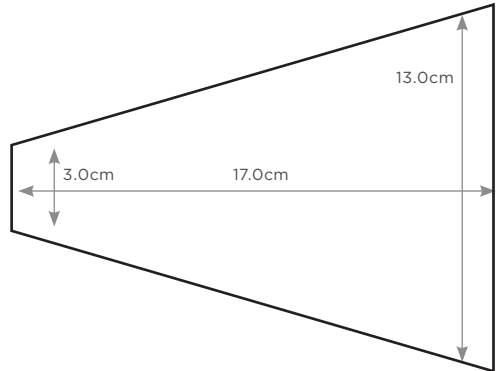
**Step 1** - Cut fabric as per below table

Panel#	Purpose	Fabric	Cut Size
Panel #1	Main Body Panels - 2pcs	1x Printed Cotton Canvas 1x Plain Cotton Fabric	As per Pattern-1
Panel #2	Side Panel - 4pcs	2x Printed Cotton Canvas 2x Plain Cotton Fabric	As per Pattern-2

### PATTERN-1:



### PATTERN-2:



**Step 2**- Stitch the plain cotton to the wrong side of the printed cotton canvas of Panel#1.

**Step 3**- Stich the zipper to the wrong side of Panel#1

**Step 4**- Stitch together one plain cotton Panel#2 and one printed cotton canvas Panel#2. Repeat this step with the remaining 2 pieces so you have 2 side panels.

**Step 5**- With right sides facing together, stitch the 2 side panels to the main body piece.

Now turn inside out and your makeup bag is ready.